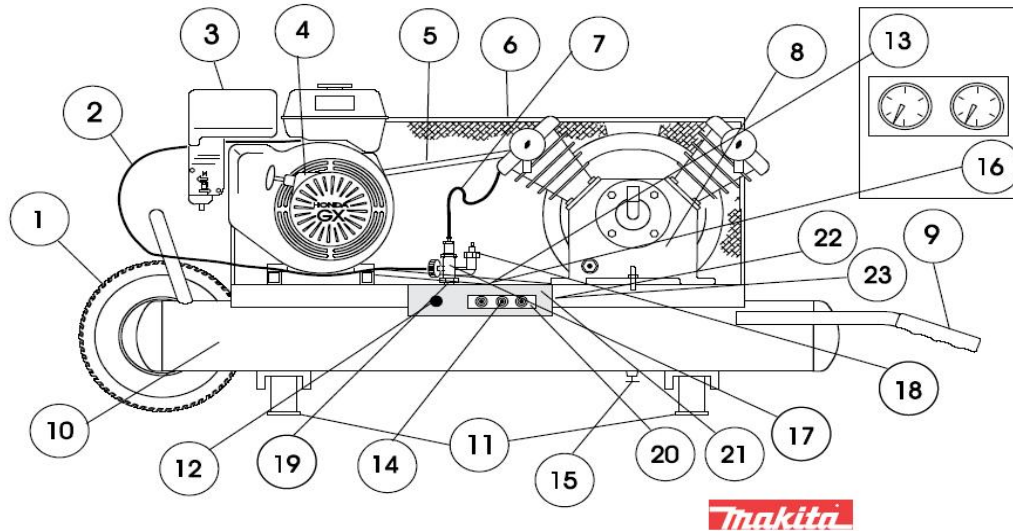




10 - 2010
MAC5500G / MAC5500GS
ENGINE COMPRESSOR



PB-EN-MKTA-240907

Item No	Type	Sub Part No.	Description	Qty	Unit
1	1	TT-WHEEL	PNEUMATIC WHEEL/AXLE	1	PC.
1	2	TT-WHEEL-SQ-FF	FLAT FREE TIRE	1	PC.
2		TCP-36	THROTTLE CONTROL CABLE SMALL (MAC5500G)	1	PC.
2A		TCLP-36	THROTTLE CONTROL CABLE LARGE (MAC5500GS)	1	PC.
3		GX160K1QX6	ENGINE	1	PC.
4		MAL37	PULLEY - ENGINE	1	PC.
4		LX3/4	PULLEY BUSHING - ENGINE	1	PC.
5		4L530	V-BELT	1	PC.
6		TT-GUARD	BELT GUARD	1	PC.
7	1	TU-25-AL	25.75" DISCHARGE TUBE W/ FITTINGS	1	PC.
	2	TU-20-AL	20.75" DISCHARGE TUBE W/ FITTINGS	1	PC.
8		PV02A	COMPRESSOR W/ FLYWHEEL (See Page 2 ~)	1	PC.
9		435017	HANDLE GRIP	2	PC.
10		10TT41X5-M	AIR RECEIVER	1	PC.
11		TT-FOOT	VIBRATION DAMPER	4	PC.
12		410029	REGULATOR	1	PC.
13		411029	PRESSURE GAUGE (REGULATOR)	1	PC.
14	2	10TT-8	QUICK COUPLER (1/4")	1	PC.
15	1	DC1/4	DRAIN COCK (Ball Valve Style)	2	PC.
	2	240-B	DRAIN COCK (Wing Style)	2	PC.
16		411029	PRESSURE GAUGE (TANK)	1	PC.
17		LMV100F	PILOT UNLOADER W/ CHECK VALVE	1	PC.
18		PSV1/4-150	PRESSURE SAFETY VALVE	1	PC.
19	1	TU1/4	FLEX TUBE	1	PC.
	2	TU1/4BLK	UNLOADER TUBE 30" W/ FITTING	1	PC.
	Opt.	TU1/4BLKMAC	UNLOADER TUBE 30" W/ FITTING (2.5 foot tube between Switch and Check Valve)	1	PC.
20	1	CPL-MAN	TRIPLE MANIFOLD BLOCK	1	PC.
	2	TRIO BLOCK	TRIPLE MANIFOLD BLOCK W/3 HOLES, BLACK	1	PC.
	3	10TT-9	TRIPLE MANIFOLD BLOCK W/5 HOLES, SILVER	1	PC.
21	1	CRTL PAN	CONTROL PANEL	1	PC.
	2	CNTRL PAN	CONTROL PANEL	1	PC.
22		151001	1/8" ELBOW	1	PC.
23		151209	1/4" ELBOW	1	PC.

Item No	Type	Sub	Part No.	Description	Qty	Unit
24			TT-HOSE	REGULATOR HOSE (Between Tank and Regulator)	1	PC.
25			WA1001	AXLE F/ WHEEL #TT-WHEEL	1	PC.
26	1		TT-GUARD-BR	BRACKET FOR BELT GUARD (TT-GUARD) (Added)	1	PC.
	2		TT-GUARD-BR-R	BRACKET FOR BELT GUARD (TT-GUARD), LEFT SIDE	1	PC.
			TT-GUARD-BR-L	BRACKET FOR BELT GUARD (TT-GUARD), RIGHT SIDE	1	PC.
30			353001	SCREW F/PRESSURE GAUGE (REGULATOR)	1	PC.
31			371001	NUT F/PRESSURE GAUGE (REGULATOR)	1	PC.
32			CNTLPANASSY	CONTROL PANEL ASSEMBLY	1	PC.
		INC.		ITEM. 12, 13, 14, 19, 20, 21, 24		

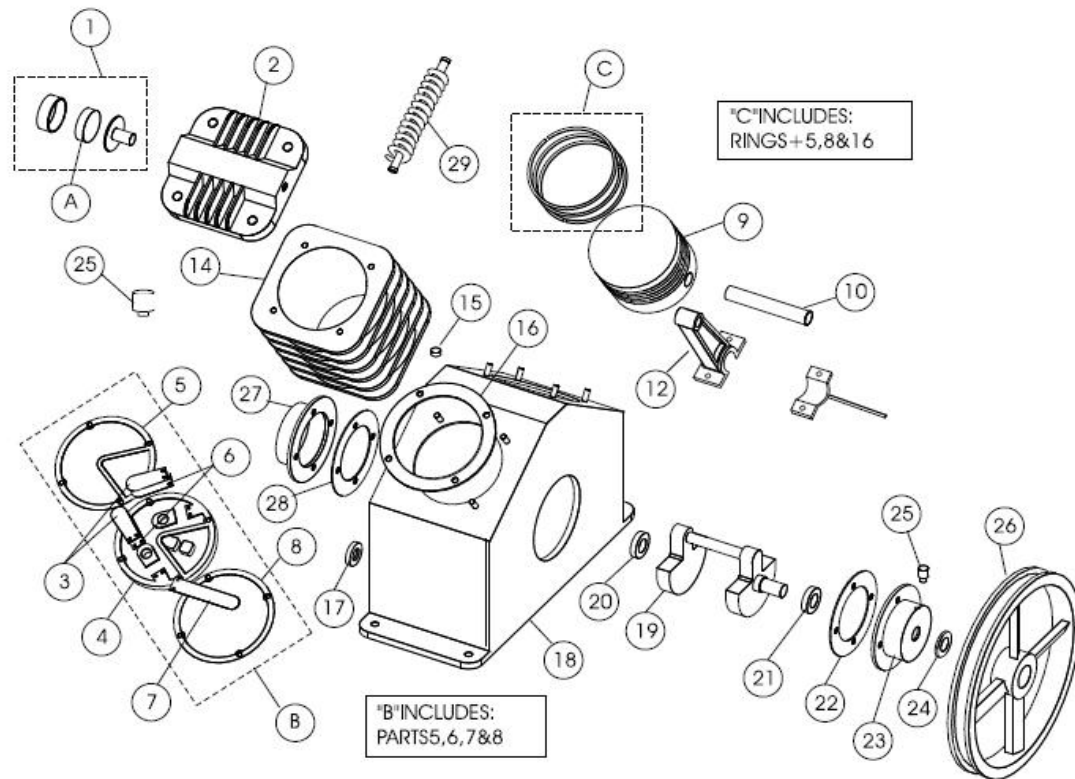
FOR SECURING THE ENGINE TO FRAME

100	1		-----	BOLT - N/L/A	4	PC.
			-----	WASHER - N/L/A	4	PC.
			-----	NUT - N/L/A	4	PC.
	2		001090	FLANGE BOLT	4	PC.
			001016	NUT	4	PC.

FOR TT-FOOT

101			001024	SCREW	4	PC.
102			001013	NUT	4	PC.

10 - 2010
MAC5500G / MAC5500GS
COMPRESSOR WITH FLYWHEEL



PB-EN-MKTA-240907

Item No.	Type	Sub	Part No.	Description	Qty	Unit
1	2		MAIF35	INTAKE FILTER ASSY W/O RETAIL PACKAGING	2	PC.
		INC.	82513-0505	BUTTERFLY NUT	1	PC.
		INC.	----	GASKET	1	PC.
		INC.	----	Item No. A		
2			52122-0101	CYLINDER HEAD	2	PC.
-			81501-030845	SCREW (F/CYLINDER HEAD)	4	PC.
3			51121-3102	LIFT LIMITER - DISCHARGE VALVE VLATE	4	PC.
4			52122-2101	VALVE SEAT	2	PC.
5			52122-2105	VALVE SEAT TO HEAD GASKET	2	PC.
6			51121-2103	DISCHARGE VALVE PLATE	4	PC.
7			52122-2103	INTAKE VALVE PLATE	2	PC.
8			52122-2104	VALVE SEAT TO CYLINDER GASKET	2	PC.
9			51122-5101	PISTON	2	PC.
10			51122-5112	PISTON PIN C/W SNAP RINGS	2	PC.
12			51122-5120	CONNECTING ROD C/W DIPPER	2	PC.
14			52122-4101	CYLINDER	2	PC.
15			51111-4719	OIL FILLER CAP	1	PC.
16			51122-4103	CYLINDER TO CRANKCASE GASKET	2	PC.
17			51111-4770	OIL SIGHT GLASS C/W GASKET	2	PC.
		INC.	----	O RING - N/A individually	1	PC.
18			51122-4701	CRANKCASE	1	PC.
19			51122-4601	CRANKSHAFT	1	PC.

Item No.	Type	Sub	Part No.	Description	Qty	Unit
20			83501-6205	FRONT BEARING	1	PC.
21			83501-6205	REAR BEARING	1	PC.
22			51122-4704	CRANKCASE TO REAR BEARING HOUSING GASKET	1	PC.
23			51122-4703	REAR BEARING HOUSING	1	PC.
24			51122-4708	OIL SEAL	1	PC.
25			51111-4761	CRANKCASE BREATHER	1	PC.
26			51122-6601	FLYWHEEL	1	PC.
27			51122-4706	FRONT BEARING HOUSING	1	PC.
28			51122-4707	CRANKCASE TO FRONT BEARING HOUSING GASKET	1	PC.
29			51122-7710	CONNECTING (INTERSTAGE) TUBING	1	PC.
30			81501-030825	BOLT F/51122-6601 (Item No. 26)	1	PC.
31			81501-001026	LOCK WASHER F/51122-6601 (Item No. 26)	1	PC.
32			51111-6621	PULLEY WASHER F/51122-6601 (Item No. 26)	1	PC.
Misc			STREL1/4	1/4" STREET ELBOW (OIL DRAIN)	1	PC.
Misc			83610-113025	REAR BEARING SNAP RING	1	PC.
Misc			51121-7702	INTERSTAGE "Y" FITTING	1	PC.
Misc			51112-7701	INTERSTAGE "ELBOW" FITTING	1	PC.
Misc			EAOIL10	EAGLE OIL (590ML OR 20OZ)	1	PC.
A	1		MAIF35E	INTAKE FILTER ELEMENT	1	PC.
	2		171006	AIR FILTER, ELEMENT ONLY	1	PC.
B			101000-165	VALVE REPAIR KIT	2	PC.
		INC.	52122-2105	VALVE SEAT TO HEAD GASKET (Item 5)	1	PC.
		INC.	51121-2103	DISCHARGE VALVE PLATE (Item 6)	2	PC.
		INC.	52122-2103	INTAKE VALVE PLATE (Item 7)	1	PC.
		INC.	52122-2104	VALVE SEAT TO CYLINDER GASKET (Item 8)	1	PC.
		INC.	50000-2000	VALVE PLATE SCREWS	6	PC.
C			101000-265	RING REPAIR KIT	2	PC.
		INC.	52122-2105	VALVE SEAT TO HEAD GASKET (Item 5)	1	PC.
		INC.	52122-2104	VALVE SEAT TO CYLINDER GASKET (Item 8)	1	PC.
		INC.	51122-4103	CYLINDER TO CRANKCASE GASKET (Item 16)	1	PC.
		INC.	----	COMPRESSION RINGS (N/A as individually)	2	PC.
		INC.	----	OIL CONTROL RING (N/A as individually)	1	PC.
D			52122-2100	VALVE PLATE ASSEMBLY	2	PC.
		INC.	51121-2103	DISCHARGE VALVE PLATE (Item 6)	2	PC.
		INC.	51121-3102	LIFT LIMITER - DISCHARGE VALVE VLATE (Item 3)	1	PC.
		INC.	52122-2101	VALVE SEAT (Item 4)	1	PC.
		INC.	51121-3101	METAL TRIANGLE	2	PC.
		INC.	50000-2000	VALVE PLATE SCREW	4	PC.